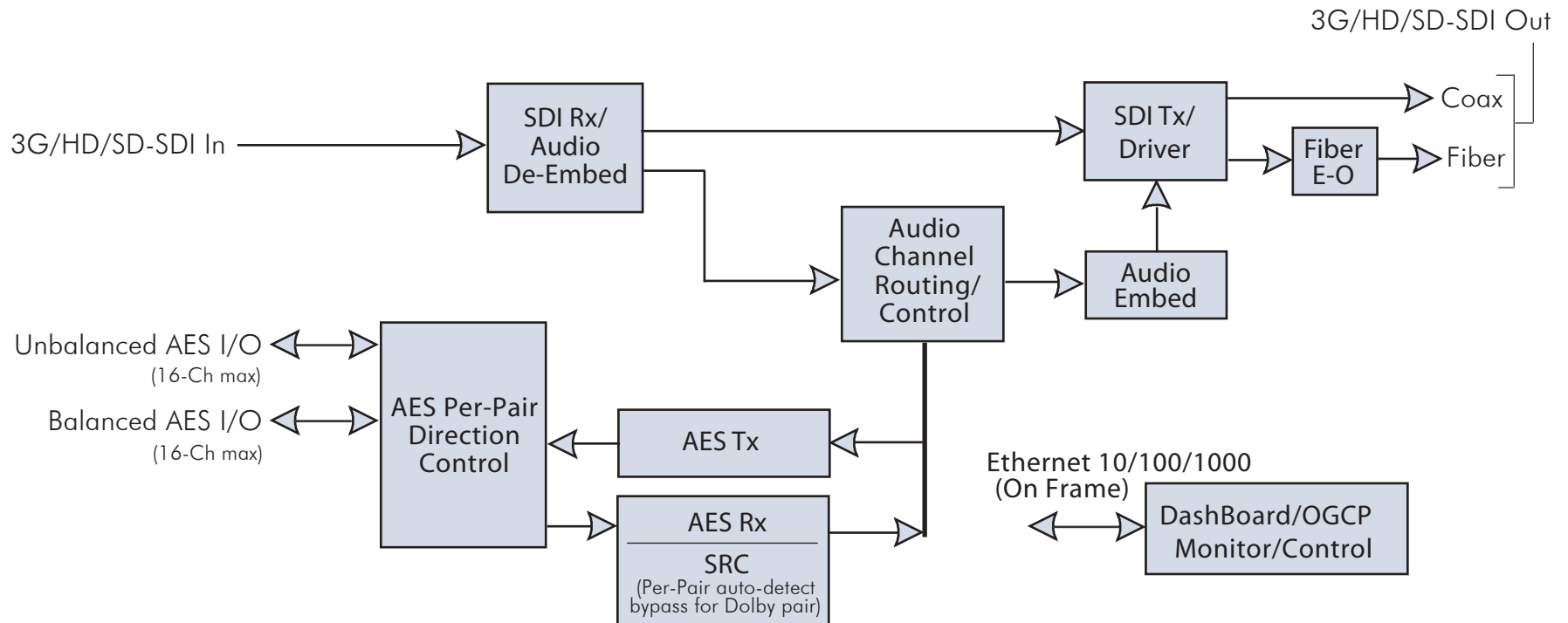


9433-EMDE-75/110-EO Block Diagram

3G/HD/SD-SDI Fiber Optic EO Transmitter
with 16-Channel Unbalanced/Balanced AES Embed/De-Embed



COBALT

Cobalt Digital Inc.
2506 Galen Drive
Champaign IL, 61821

217.344.1243
info@cobaltdigital.com
www.cobaltdigital.com