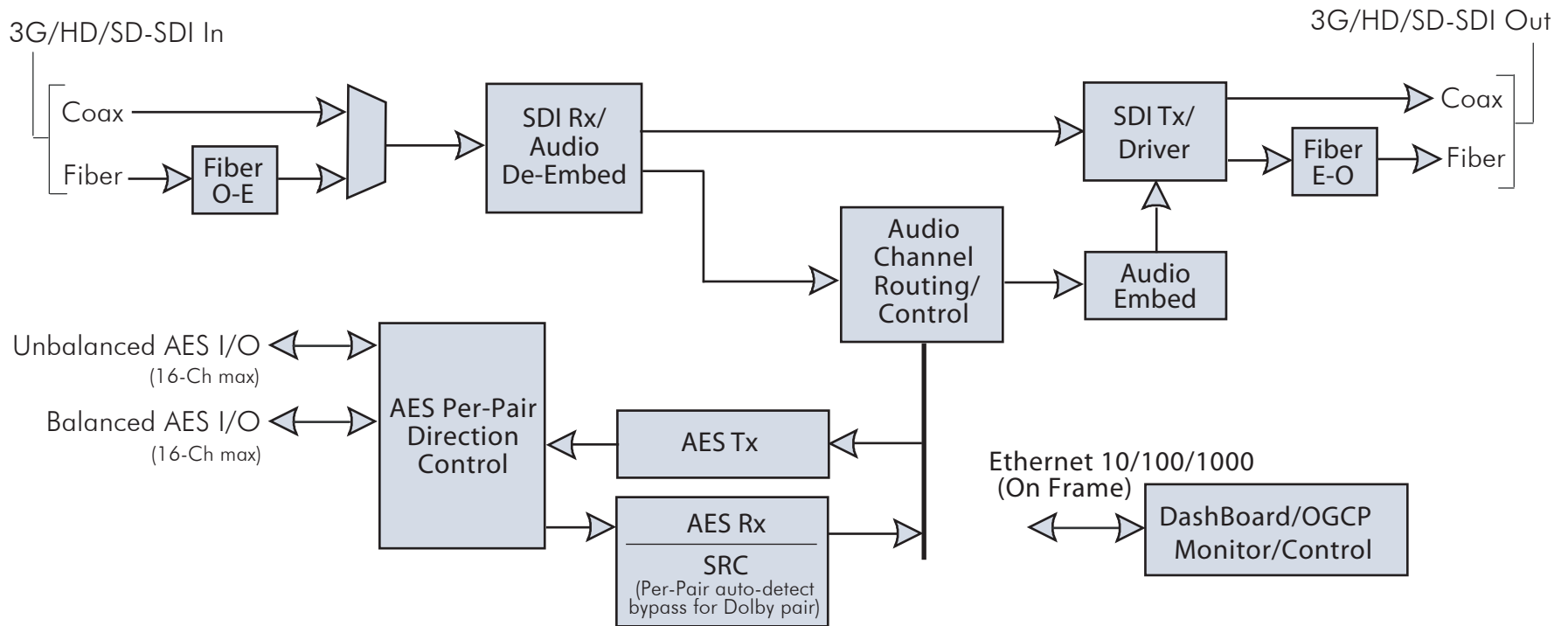


# 9433-EMDE-75/110-EOOE Block Diagram

## 3G/HD/SD-SDI Fiber Optic Transceiver

with 16-Channel Unbalanced/Balanced AES Embed/De-Embed



**COBALT**

Cobalt Digital Inc.  
2506 Galen Drive  
Champaign IL, 61821

217.344.1243  
info@cobaltdigital.com  
www.cobaltdigital.com