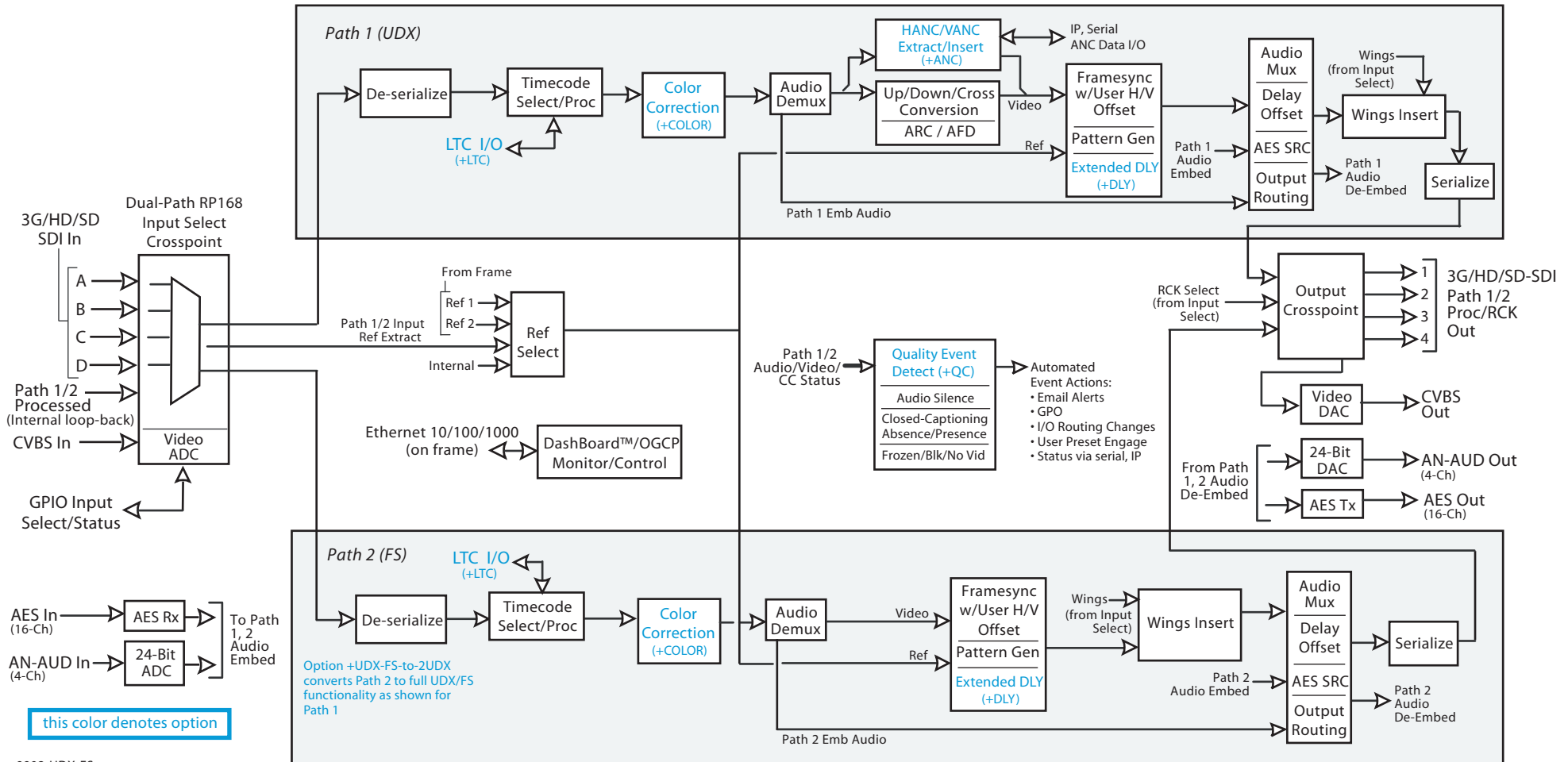


9902-UDX-FS Block Diagram

3G/HD/SD-SDI Dual-Channel - Path 1 UDX / Path 2 Frame Sync
with Audio Embed/De-Embed



9902-UDX-FS