

**9915DA-DUAL-1x8-12G • 12G/6G/3G/HD/SD-SDI Dual 1x8 Reclocking Distribution Amplifier**



The Cobalt® **9915DA-DUAL-1x8-12G** 12G/6G/3G/HD/SD-SDI Dual 1x8 Reclocking Distribution Amplifier supports two input channels, with each distributed to eight DA outputs (16 DA outputs total).

As demand for 4K continues to rise, distribution of 12G-SDI signals within a rackspace becomes increasingly important. The 9915DA allows for copper runs of up to 45 meters, reaching most equipment within a rack room or truck.

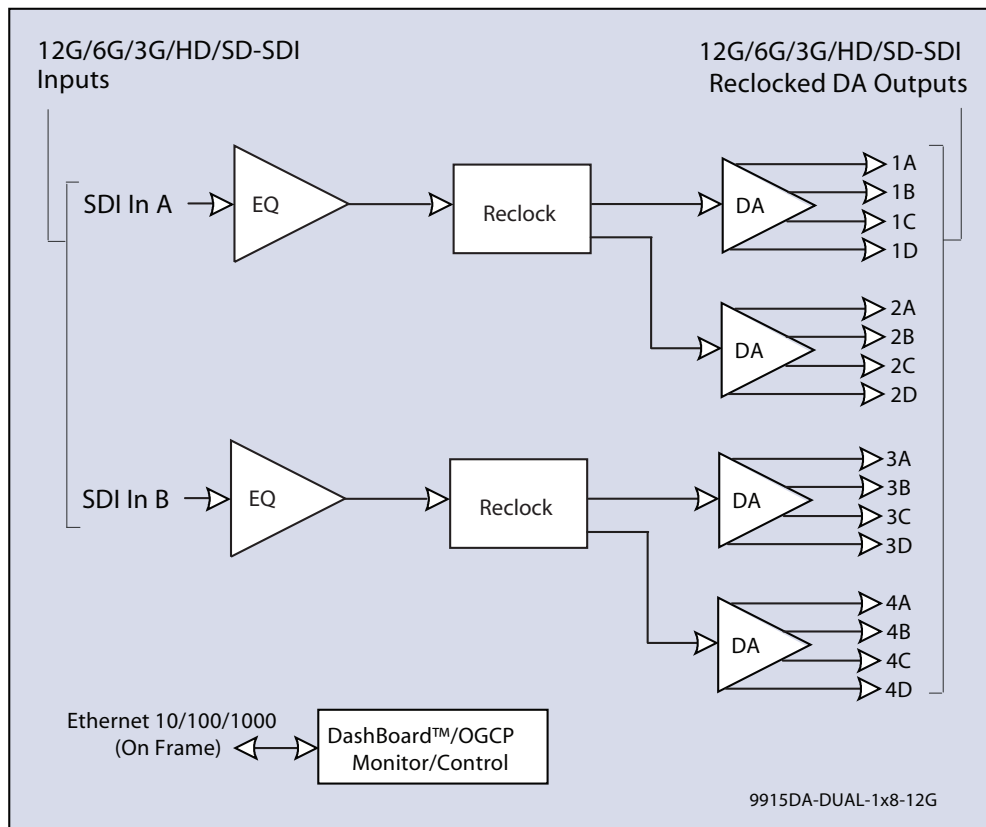
Up to 10 of the 9915DA-DUAL-1x8-12G cards can be installed in a frame to provide 20 channels of input, with distribution to up to 160 outputs. Full user DashBoard™ or Remote Control Panel remote control allows full status and control access locally or across a standard Ethernet network.

**FEATURES**

Full support of 12G/6G/3G/HD/SD-SDI and ASI/DVB  
 Input data rate auto-detection for all industry-standard data rates

One-card solution for distribution of 8K/4K content over 12G-SDI interfaces  
 Card edge and DashBoard status and individual input lock indicators

Five year warranty



# 9915DA-DUAL-1x8-12G • 12G/6G/3G/HD/SD-SDI Dual 1x8 Reclocking Distribution Amplifier

## SPECIFICATIONS

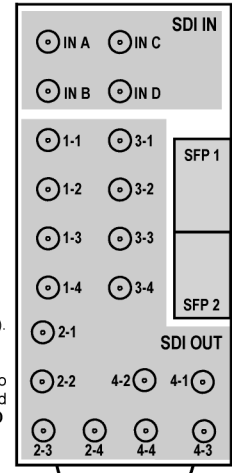
**Note:** All specifications are preliminary and subject to change. Inputs/outputs are a function of rear I/O module used.

### Power

< 10 Watts

### 12G / 6G / 3G / 1.5G / 270M Serial Digital Interface Input/Output

(2) 75Ω HDBNC Connectors Input (max). (16) 75Ω HDBNC Connectors Output (max).  
SDI Formats Supported: SMPTE ST2082-1,10, 424M, 292M, SMPTE 259M-C. All inputs/outputs 12G compliant and SDQS/2SI quad 3G compliant.



### Notes:

- (Applicable only where -SFP option are offered.) **SFP 1** and **SFP 2** details show SFP receptacle cage locations. SFP receptacle cage is included factory-installed on rear module (Plug-in SFP modules are available with respective options).
- All four **SDI IN A** thru **SDI IN D** are functional only when mated to quad input card models. Dual and single card models omit **SDI IN D** as NC, and progressively omit **SDI IN C** and **SDI IN B** as NC.

**RM20-9915-A-HDBNC**

## ORDERING INFORMATION

**9915DA-DUAL-1x8-12G** 12G/6G/3G/HD/SD-SDI Dual 1x8 Reclocking Distribution Amplifier

### Rear Modules:

**RM20-9915-A-HDBNC** 20-Slot Frame Rear I/O Module (Standard Width) (2) 12G/6G/3G/HD/SD-SDI Inputs (IN C and IN D NC), (16) 12G/6G/3G/HD/SD-SDI Outputs (all coaxial connectors HD-BNC)