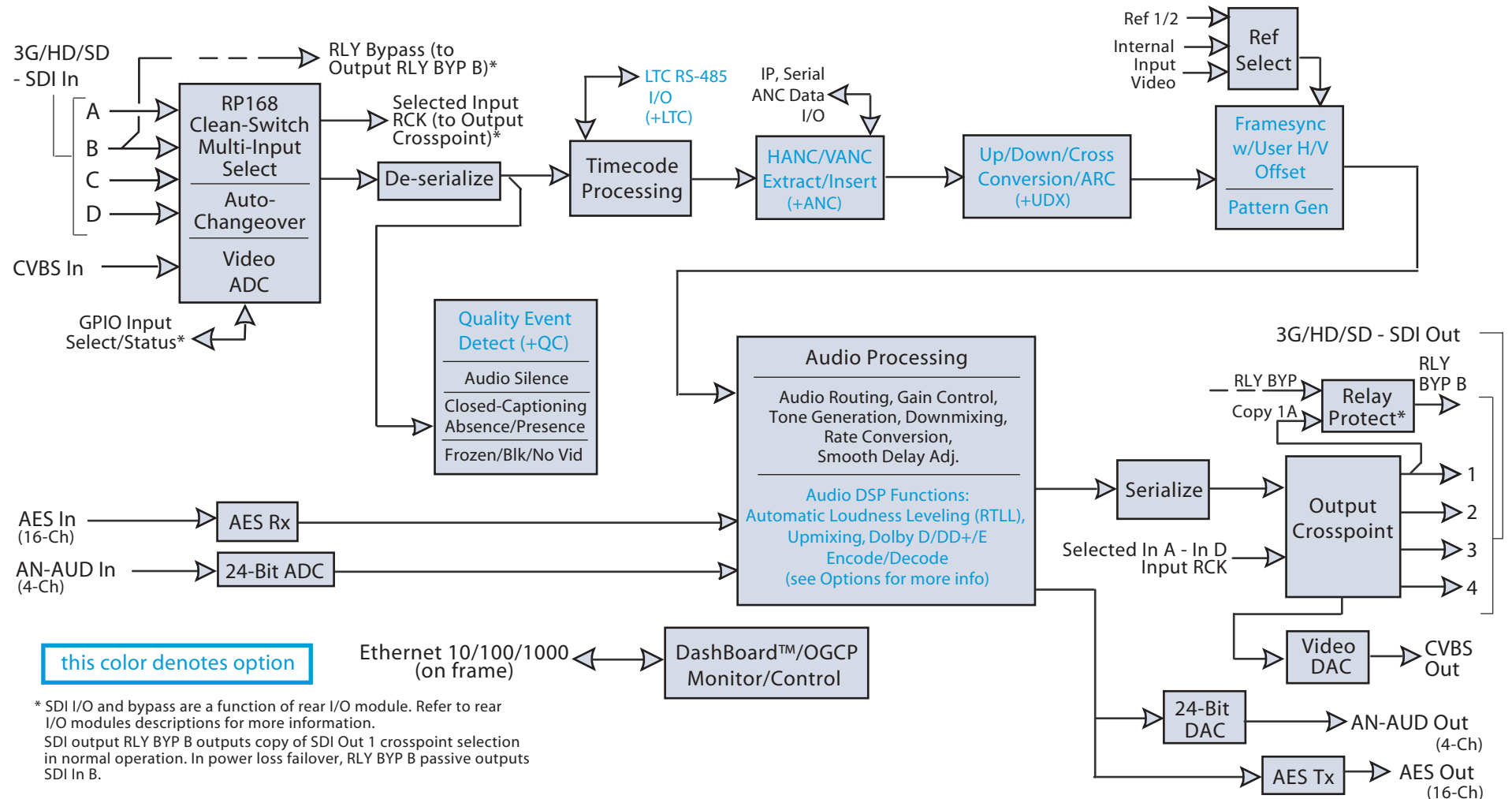


9934-AUD-PRO-DSP Block Diagram

3G/HD/SD-SDI Advanced Audio Processor

with DSP Audio Options Support and Full Embed/De-Embed



this color denotes option

* SDI I/O and bypass are a function of rear I/O module. Refer to rear I/O modules descriptions for more information.
SDI output RLY BYP B outputs copy of SDI Out 1 crosspoint selection in normal operation. In power loss failover, RLY BYP B passive outputs SDI In B.