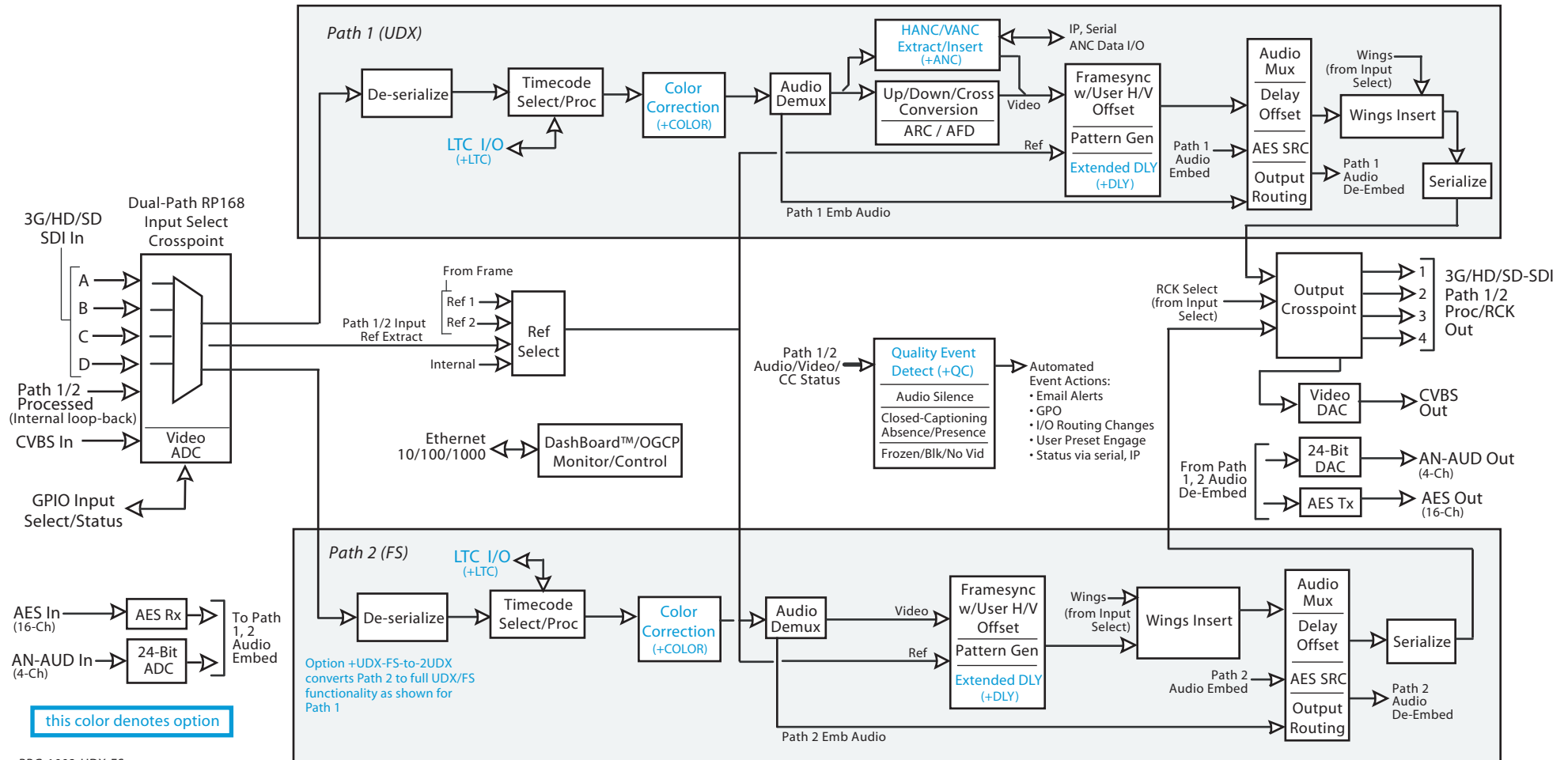


BBG-1002-UDX-FS Block Diagram

3G/HD/SD-SDI Standalone Dual-Channel - Path 1 UDX / Path 2 Frame Sync with Audio Embed/De-Embed



BBG-1002-UDX-FS