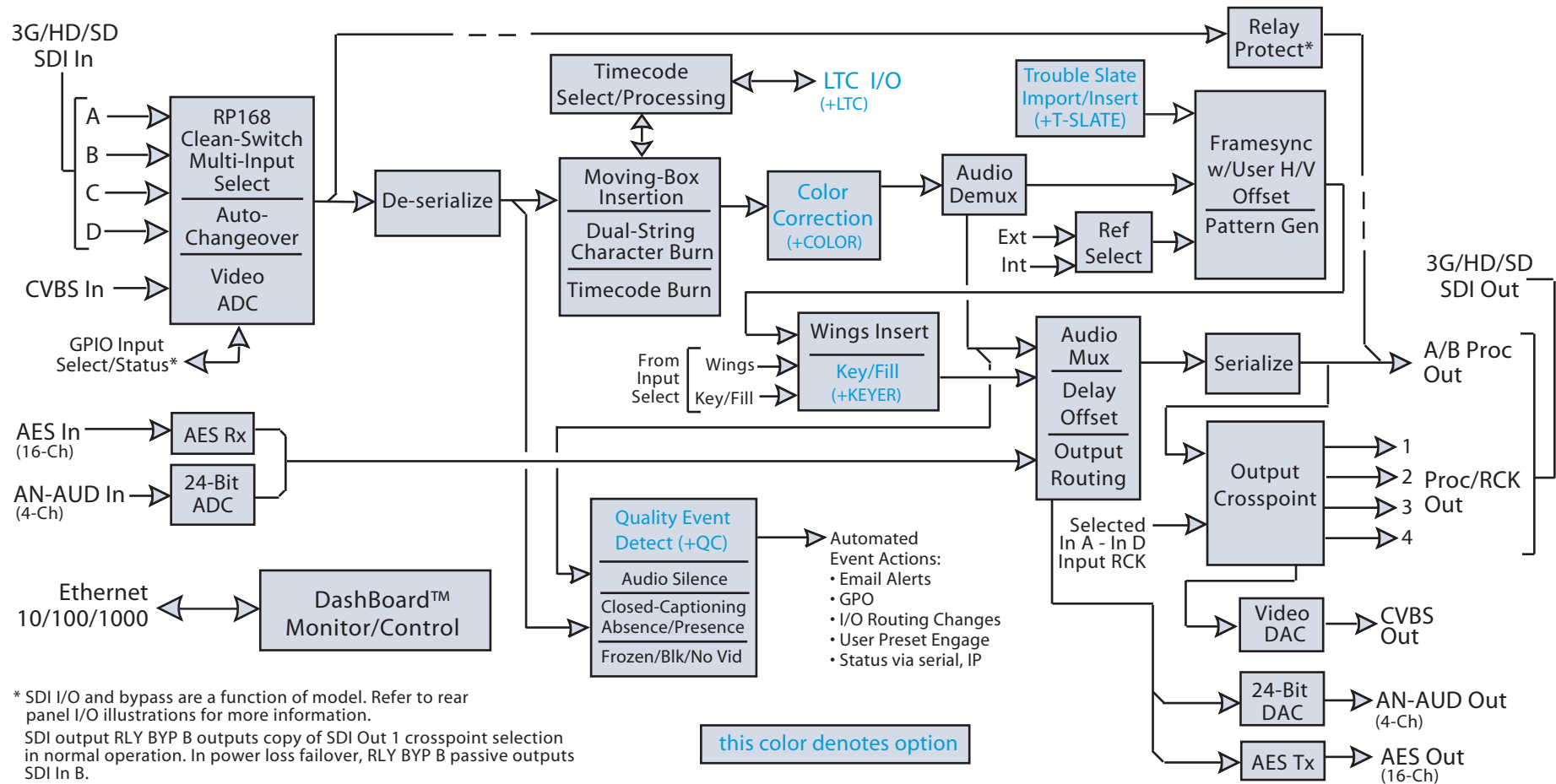


BBG-1022-FS Block Diagram

3G/HD/SD-SDI Framesync

with Audio/Video Processing, AES/Analog Audio Embedding/De-Embedding, CVBS I/O, and Dual-Channel Option (+2FS)



* SDI I/O and bypass are a function of model. Refer to rear panel I/O illustrations for more information.

SDI output RLY BYP B outputs copy of SDI Out 1 crosspoint selection in normal operation. In power loss failover, RLY BYP B passive outputs SDI In B.



Cobalt Digital Inc.
2506 Galen Drive
Champaign IL, 61821

217.344.1243
info@cobaltdigital.com
www.cobaltdigital.com