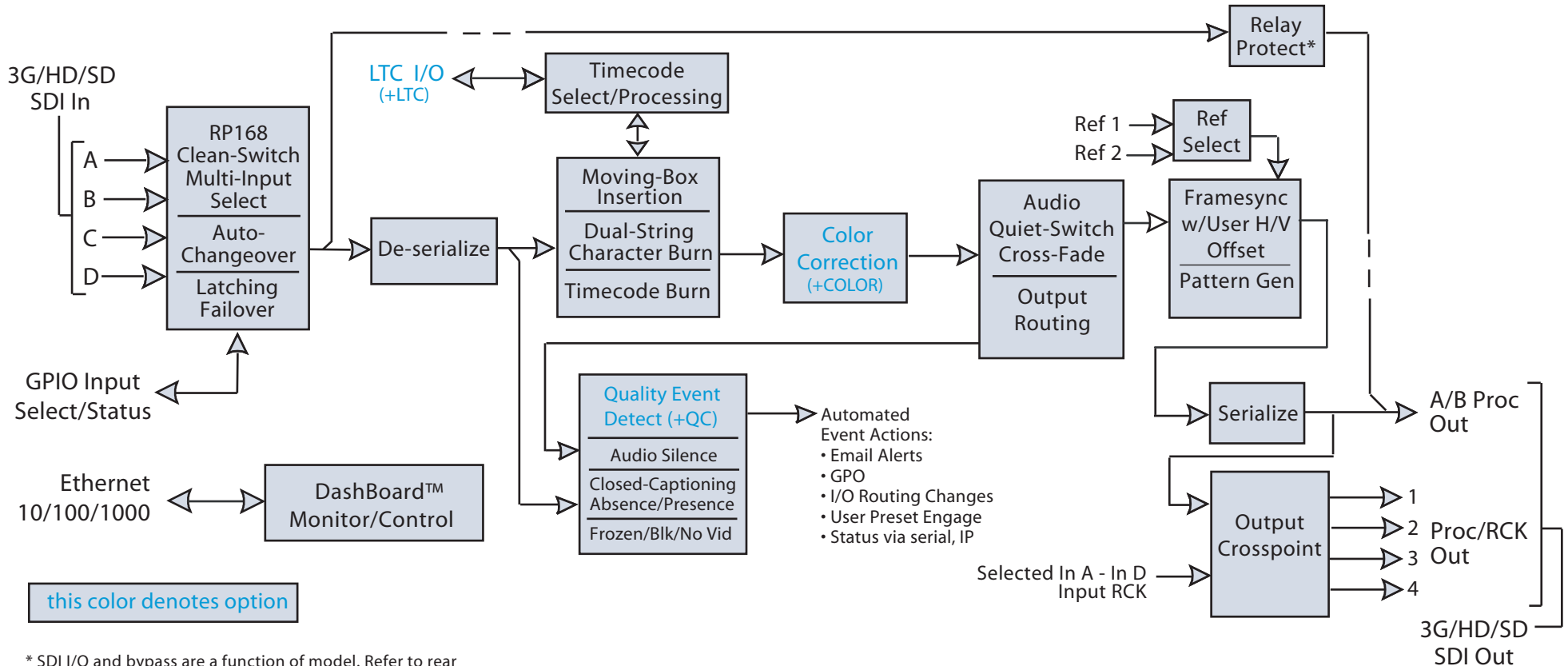


BBG-1040-4x1-CS Block Diagram

3G/HD/SD-SDI Standalone 4x1 Clean and Quiet Bypass Router

with Relay-Protected Input and GPIO Monitoring / Control



this color denotes option

* SDI I/O and bypass are a function of model. Refer to rear panel I/O illustrations for more information.
SDI output RLY BYP B outputs copy of SDI Out 1 crosspoint selection in normal operation. In power loss failover, RLY BYP B passive outputs SDI In B.