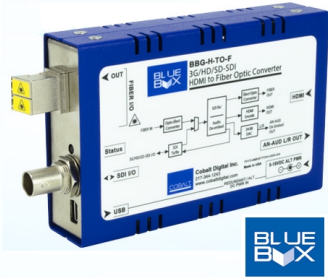


BBG-H-TO-F • 3G/HD/SD-SDI HDMI-To-Fiber -Optic Converter



The Blue Box™ **BBG-H-TO-F HDMI-to-Fiber** throw-down converter unit is a part of the Blue Box Group™ of compact, rugged, and portable converter boxes. BBG-H-TO-F offers a compact throwdown unit that provides direct HDMI-to-fiber conversion and much more.

BBG-H-TO-F also provides a 3G/HD/SD-SDI output, and also provides a stereo analog audio embed input. The HDMI input can also receive and convert DVI-D sources (limited to SMPTE HD formats). Along with the analog audio embedding offered by BBG-H-TO-F, this allows a fiber and coax SDI output with embedded audio from DVI-D video sources.

BBG-H-TO-F can be configured using the device DIP switches or by using an intuitive GUI application that communicates with BBG-H-TO-F over a PC's USB port. The GUI app allows dynamic configuration control, status display, and other advanced control functions not commonly found on "throwdown" packages. When configured using the GUI app, the USB connection can be removed with all settings held in non-volatile device memory.

FEATURES

Provides simultaneous HDMI-to-fiber and HDMI-to-coax SDI conversions. Accepts DVI-D input sources with SDI format conversions to coax and fiber SDI.

Direct conversion from HDMI to SMPTE 259M, 292M and 424M SDI

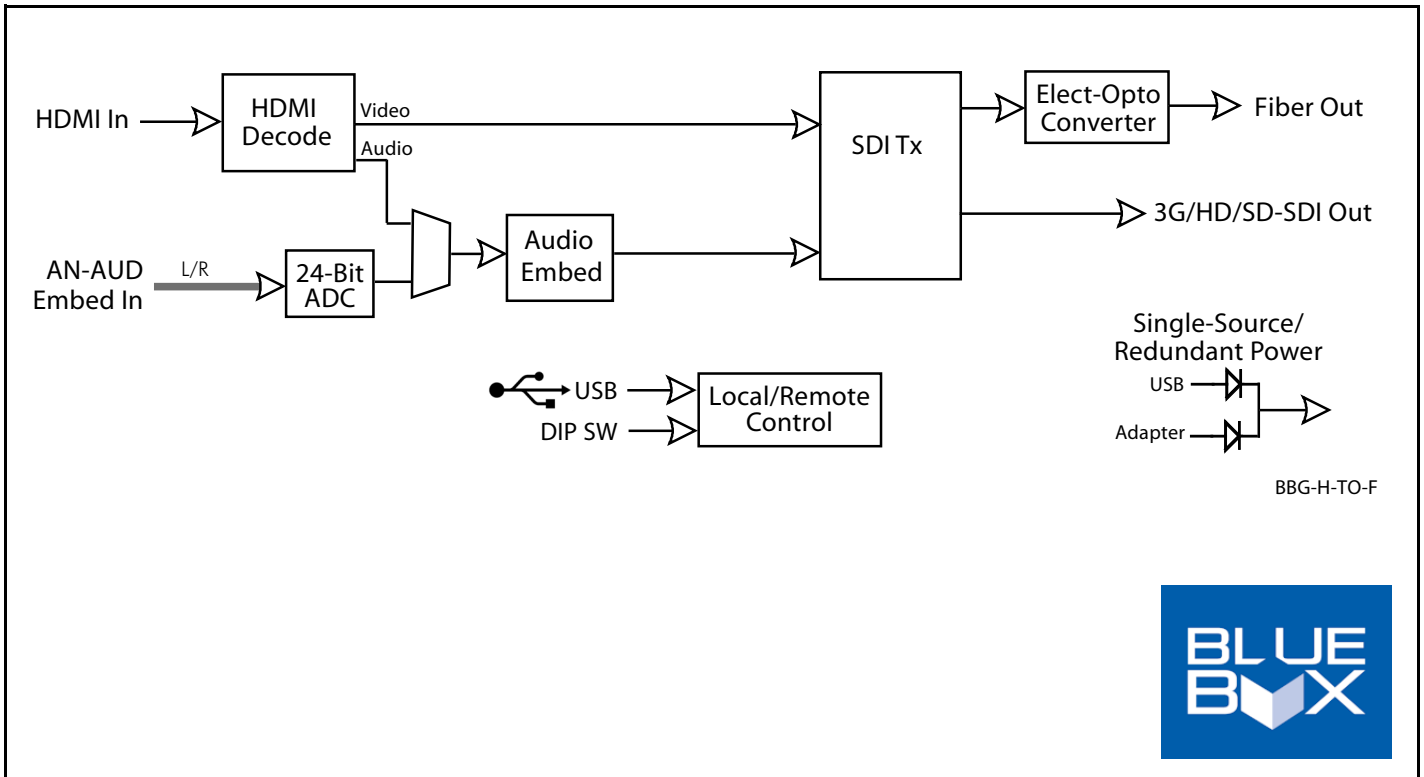
Powers directly from host equipment USB or standard corded power adapter. USB power and corded adapter can be simultaneously used to provide redundant power sourcing.

Configurable using device DIP switches or USB GUI remote control offering dynamic configuration control, status display, and other advanced control functions not commonly found on "throwdown" packages

Compact size and low weight design easily affixes directly to camera or host device chassis

Singlemode fiber link distance >10 km (3Gbps), >20 km (1.5Gbps), and >35 km (270Mbps). Multimode typically >200 m.

Rugged construction backed with a five-year warranty



BBG-H-TO-F • 3G/HD/SD-SDI HDMI-To-Fiber -Optic Converter

SPECIFICATIONS

Standards Supported

SMPTM 259M, 292M, 424M

Inputs/Outputs

HDMI input (HDMI 1.4a compliant). DVI-D compliant input (limited to SMPTE HD formats).

(1) Fiber output. FC, ST, or LC connectors per ordered configuration (see Ordering Info).

(1) Stereo analog audio pair in (L/R unbalanced pair via 3.5mm TRS jack)

(1) SDI output

Audio Conversion Format

48 kHz sampling, 24-bit

8-Ch HDMI to SDI groups 1 and 2

Power Source

Power-sourced directly from host equipment USB port. Converter can also be powered using corded AC adapter (included)

Power

5-16 VDC, 2.4 W

DC Power Connectors

USB Mini and coaxial locking connector (for use with supplied Cobalt power adapter)

USB Port

Mini-USB (used for power source, USB remote control connection, and firmware upgrade upload to device)

Dimensions (WxHxD)

5.5" x 3" x 1" (including connector projections)

(139 x 77 x 26 mm)

Operating Temperature Range

32°F to 122°F

(0°C to 50°C)

ORDERING INFORMATION

BBG-H-TO-F-FC 3G/HD/SD HDMI-To-Fiber Optic Converter (Type FC fiber connector)

BBG-H-TO-F-ST 3G/HD/SD HDMI-To-Fiber Optic Converter (Type ST fiber connector)

BBG-H-TO-F-LC 3G/HD/SD HDMI-To-Fiber Optic Converter (Type LC fiber connector)

BBG-MB Mounting Bracket

Note: The USB GUI application available for BBG H-TO-F is a free download (Windows Security Certified) that can be downloaded from our Support web page. Instructions for downloading and using the app are included in product documentation. The application is not required for device usage where only DIP switch configuration is desired.

Currently, this application is available for only the following operating systems:

- Windows Vista
- Windows 7
- Windows 8
- Windows 8.1
- Windows 10