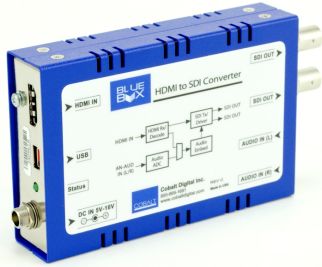


**BBG-H-TO-S • HDMI-To-3G/HD/SD-SDI with Audio Embedder**



The Blue Box **BBG-H-TO-S** HDMI-to-SDI throw-down converter unit is a part of the BlueBox™ group of compact, rugged, and portable converter boxes.

Embedded audio on the 2x SDI output can be sourced from the HDMI input (channels 1-8) or from a line-level analog audio pair input. Along with the analog audio embedding offered by BBG H-To-S, this allows an SDI output with embedded audio using DVI-D video sources.

Blue Box can power directly via USB to get its power from video monitors or other equipment. Blue Box BBG H-To-S provides true 3G and HD conversions from HDMI to SMPTE 424M, 292M, or 259M. The HDMI input can also receive and convert DVI-D sources (limited to SMPTE HD formats).

**FEATURES**

Direct conversion from HDMI to SMPTE 259M, 292M and 424M SDI. Accepts DVI-D input sources with conversion to coax SDI.

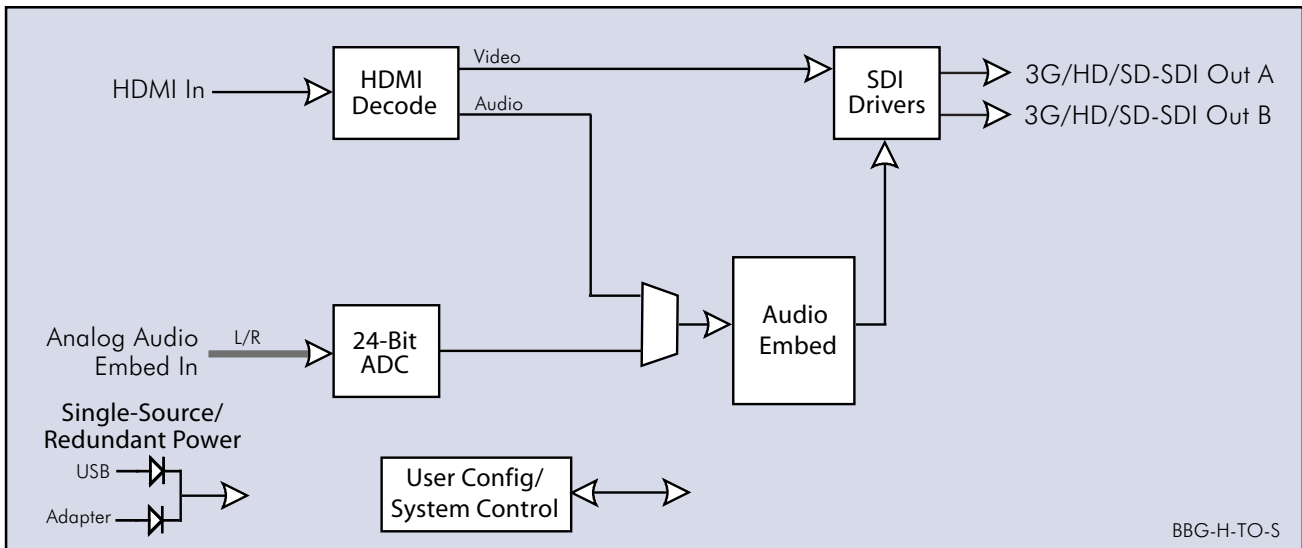
Compact size and low weight design easily affixes directly to camera or host device chassis

5.1-channel embedding from HDMI audio. Stereo analog audio embedding from stereo analog audio input pair.

Powers directly from host equipment USB or standard corded power adapter. USB power and corded adapter can be simultaneously used to provide redundant power sourcing.

2x SDI DA output

Rugged construction backed with a five-year warranty



**BBG-H-TO-S • HDMI-To-3G/HD/SD-SDI with Audio Embedder****SPECIFICATIONS****Standards Supported**

SMPTTE 259M, 292M, 424M

**Inputs**

HDMI (HDMI 1.4a compliant), DVI-D compliant input (limited to SMPTE HD formats).  
(2) analog audio (unbalanced consumer RCA)  
DC power (via USB or adapter)

**Outputs**

(2) SDI (75Ω BNC)

**Latency Delay**

SD: <30 us  
HD: <17 us  
3G <8 us

**Audio Conversion Format**

48 kHz sampling, 24-bit  
8-Ch HDMI to SDI groups 1 and 2

**Power Source**

Power-sourced directly from host equipment USB port. Converter can also be powered using corded AC adapter (included)

**Power**

5-16 VDC, 2.4 W

**DC Power Connectors**

USB Mini and coaxial locking connector (for use with supplied Cobalt power adapter)

**Dimensions (WxHxD)**

5.5" x 3" x 1" (including connector projections)  
(139 x 77 x 26 mm)

**Operating Temperature Range**

-4°F to 158°F  
(-20°C to 70°C)

**ORDERING INFORMATION**

**BBG-H-TO-S** HDMI-to-HD/SD-SDI with Audio Embedder Converter Unit

**BBG-MB** Mounting Bracket