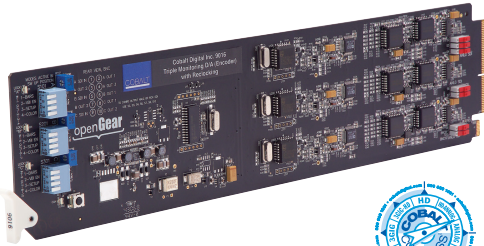


9016 » TRIPLE MONITORING CONVERTER SDI TO ANALOG COMPOSITE

with Reclocked SDI



The 9016 is a triple SDI-to-analog composite encoder with relocked SDI. Analog or digital output configuration can be selected as needed for a given application. The 9016 has three separate SDI encoders, providing three outputs on converter A, two outputs on converter B, and two outputs on converter C. Each output can be selected to be either analog or digital. Analog output gain control for composite is adjustable using card-edge controls.

» FEATURES

Three conversions on one card (SDI SMPTE 259M-C)

User selectable analog composite or SDI outputs

8-bit data path, 10-bit DAC

Automatic configuration NTSC/PAL

Color encoding user selectable to B&W

Built-in color bar test generator (analog outputs only)

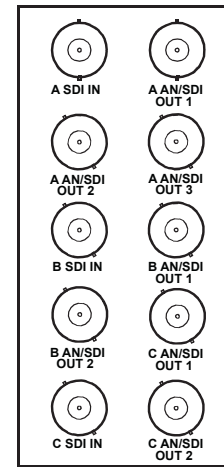
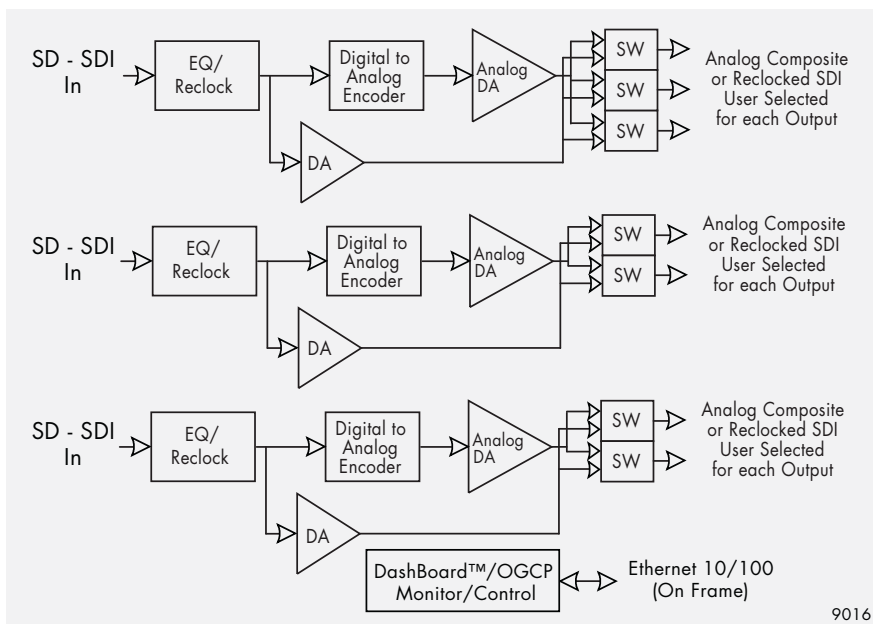
Video gain control accessible on card edge

Data-lock indicator

VBI blanking on/off

Remote control/monitoring via Dashboard™ software or OGCP-9000 remote control panel

Five year warranty



RM20-9016-A

» SPECIFICATIONS

Electrical

Power: 7 watts

SD-SDI Inputs

Number of Inputs: 3
Standard: SMPTE 259M-C

Outputs

Number of Outputs: 3x2x2 A, B, and C-Channel outputs; configurable as analog composite or relocked SDI

Indicators

3 data lock indicators (1 per converter)

» ORDERING INFORMATION

9016 Triple Monitoring Converter - SDI to Analog Composite with Reclocked SDI

RM20-9016-A 20-Slot Frame Rear I/O Module (Standard Width) -Ch A: 3 Out,-Ch B: 2 Out,-Ch C: 2 Out (Outputs switchable between Composite or Reclocked SDI)

