

# 9257 » 1X9 MADI AUDIO DISTRIBUTION AMPLIFIER



The 9257 provides an award-winning card-based solution for distribution of AES10 MADI signals. The card supports sampling frequencies up to 96 kHz, with a 64-channel payload supported at the industry standard 48 kHz sampling rate (all other sampling rates specified as valid per AES10-2003 are also supported at various payload capacities). Utilizing the openGear® open-architecture platform, the 9257 offers scalable incorporation and the easy-to-use DashBoard™ setup and control operator interface. Up to 20 of the 9257 cards can be installed in a 20-Slot frame.

The 9257 can reliably equalize up to 250m of 1694A, and offers DashBoard™ display and alarm for input signal status and LOS alarms. The card is available with several Rear I/O Module choices that offer BNC, DIN1.0/2.3, or HD-BNC connectors. Full user remote and card-edge monitor/control allows full card status and control access locally or across a standard Ethernet network.

## » FEATURES

Card-based design allows scalability, with up to 20 input channels per frame

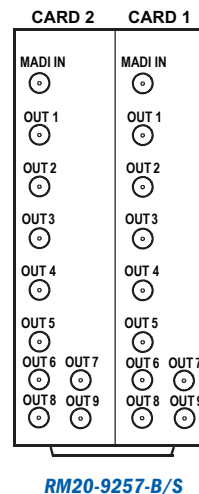
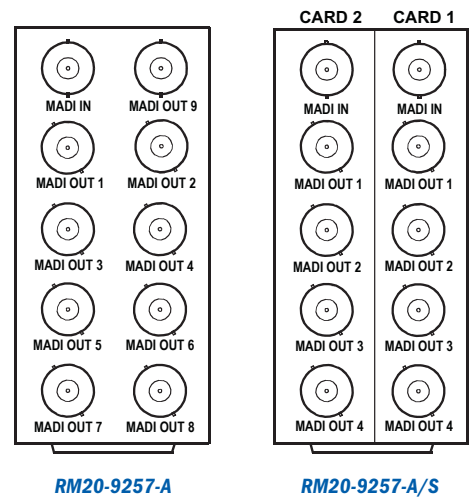
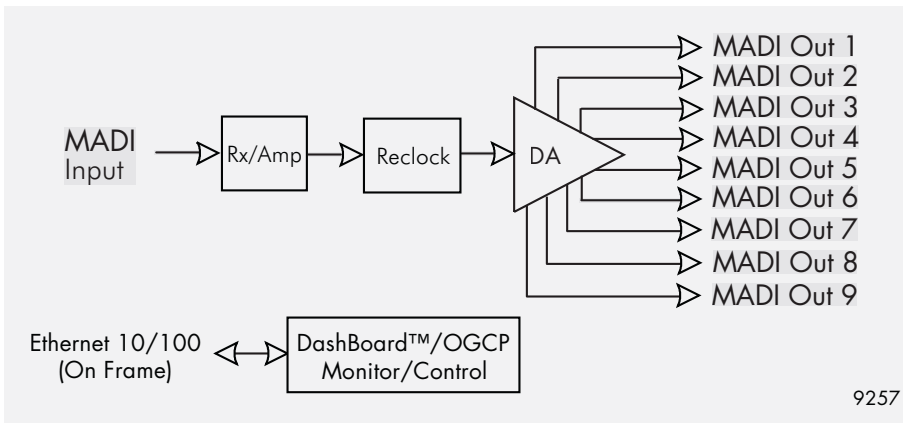
Specifically designed and optimized for AES10 MADI interface

Remote control/monitoring via DashBoard™ software

Low power/high-density design; only 3.3 Watts per card

Up to 250m 1694A receive EQ capability

Five year warranty



## » SPECIFICATIONS

### Electrical

Power: 3.3 watts

### MADI (AES10-2003) Input

Number of Inputs: 1  
 Impedance: 75 Ω  
 Data Rate: 125 Mbps  
 Level: 0.15 - 0.6 Vp-p

### MADI (AES10-2003) Outputs

Number of Outputs: 9 (max.)  
 Impedance: 75 Ω  
 Level: 0.3 - 0.6 Vp-p  
 Jitter: 0.1 UI



## » ORDERING INFORMATION

**9257** 1x9 MADI (AES10-2003) Audio Distribution Amplifier

**RM20-9257-A** 20-Slot Frame Rear I/O Module (Standard Width) 1 MADI Input BNC, 9 MADI Output BNCs

**RM20-9257-A/S** 20-Slot Frame Rear I/O Module (Split) Dual MADI Input BNC, 4 MADI Output BNCs per card

**RM20-9257-B/S-DIN** 20-Slot Frame Rear I/O Module (Split) Dual MADI Input (DIN1.0/2.3), 9 MADI Outputs (DIN1.0/2.3) per card

**RM20-9257-B/S-HDBNC** 20-Slot Frame Rear I/O Module (Split) Dual MADI Input (HD-BNC), 9 MADI Outputs (HD-BNC) per card