

SAPPHIRE 9926-2HtoS • 12G/6G/3G/HD/SD Dual-Channel openGear® HDMI-To-SDI Converter with Per-Channel Frame Sync



The **9926-2HtoS 12G/6G/3G/HD/SD Dual-Channel openGear® HDMI-To-SDI Converter** with Per-Channel Frame Sync provides two independent paths of true 12G - 3G and HD conversions from HDMI to SMPTE 2082, 424M, 292M, or 259M. Each path is equipped with frame sync as well as full input and output audio crosspoints and optional per-path color correction and UDX. Input and output HDMI and SDI crosspoints allow program sourcing and distribution across either of the two HDMI inputs and two SDI outputs.

In existing openGear® installations, the dual-channel capacity of 9926-2HtoS can save space and lend to installation integrity over using throwdown devices. Preset save/load allows saving custom card settings while allowing instant revert to factory settings. Layered presets allow invoking changes related only to a specific area of

concern (audio routing, for example) while not changing any other processing settings or aspects. Full user DashBoard™ or Remote Control Panel control allows full status and control access locally or across a standard Ethernet network.

FEATURES

Supports popular formats: 480i, 576i, 720p, 1080i, 1080p, 2160p

Two independent HDMI-to-SDI processing paths on a single openGear® cards neatly integrates high capacity in openGear® environments

Each path equipped with frame sync with configurable manual or LOS-detect insertion of frozen frame or selectable-color flat-field. Optional per-path color correction and UDX

Full input and output audio cross-points, including independent flex mix, stereo down-mixers, and audio delay functions

Remote control/monitoring via DashBoard™ software or OGCP-9000 Remote Control Panel

Hot-swappable

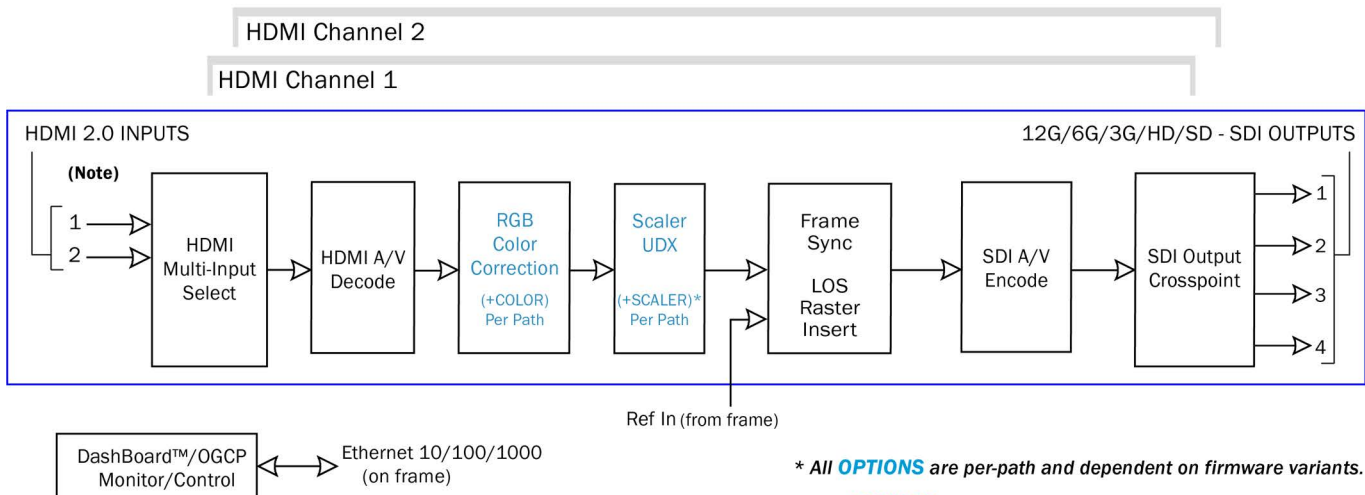
Make 9926-2HtoS into a standalone unit by using 9926-2HtoS with our **BBG-1300-FR** 1RU Enclosure for openGear® Cards standalone enclosure

Five year warranty

OPTIONS

• **+COLOR** - Provides full RGB color corrector (offset, gain, gamma) with extended YCbCr proc-amp controls with white hard clip, white soft clip, black hard clip, and saturation clip.

• **+SCALER** - Up/Down/Cross Conversion Software option (**per-path**) Supports 59.94 <~> 60 conversions. The **+SCALER** option supports scaling and conversion between formats up to and including 1080p.



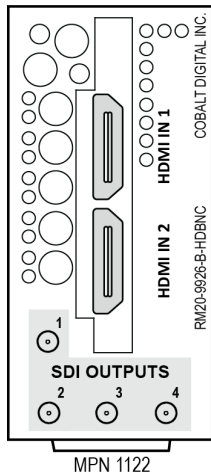
* All **OPTIONS** are per-path and dependent on firmware variants.

* The **+SCALER** supports scaling and conversion between formats up to and including 1080p.

Note: Inputs can be selected from up to 2 discrete HDMI inputs. Dual simultaneous path processing is available with HDMI channel 2 offering same features/functions as shown for HDMI CH 1.

This color denotes option

SAPPHIRE 9926-2HtoS • 12G/6G/3G/HD/SD Dual-Channel openGear® HDMI-To-SDI Converter with Per-Channel Frame Sync



RM20-9926-B-HDBNC

Note: Due to the alignment of the 9926-2HtoS card and this rear module, the combination of the card and rear module will consume the adjacent even frame slot in addition to the odd slot occupied by the card.

Note: Mates to card in **odd** slot.

SPECIFICATIONS

Note: All specifications are preliminary and subject to change.

Power
49 Watts

Standards Supported
SMPTE 259M, 292M, 424M, ST2082-1

HDMI Inputs
(2) HDMI connectors - 2.0 compliant

12G/6G/3G/HD/SD-SDI Outputs
(4) 75Ω outputs
Output Signal Level: 800 mV ±10%
DC Offset: 0 V ± 50 mV
Alignment Jitter (3G/HD/SD): < 0.3/0.2/0.2 UI

Frame Sync Audio/Video Delay
Max offset: 20 frames
Latency (min): 1 frame

User Audio Delay Offset from Video
Bulk delay control: -33 msec to +3000 msec.
Per-channel delay controls: -800 msec to +800 msec

Frame Reference Input
(2) reference from frame bus. SMPTE 170M/318M "Black Burst", SMPTE 274M/296M "Tri-Level"
Note: Per-path frame reference offers independent per-path controls (such as video delay offset). However, all paths must be locked to the same selected reference selection (e.g., frame REF 2 used for each path).

ORDERING INFORMATION

9926-2HtoS 12G/6G/3G/HD/SD Dual-Channel openGear® HDMI-To-SDI Converter with Per-Channel Frame Sync

Rear Modules:

RM20-9926-B-HDBNC 20-Slot Frame Rear I/O Module (Standard-Width) (2) HDMI 2.0 Inputs, (4) 12G/6G/3G/HD/SD/SD-SDI Processed Outputs (All coaxial connectors HD-BNC.) (**Note:** Mates to card in **odd** frame slot.)

Options: Options denoted as "+" are **software-based** options which are available on new products when ordered or can be customer field-installed as a software upload upgrade. Unless otherwise noted, software options are per-card based. Options which are **per-path** based are identified as such.

+COLOR Color Correction Option (**per-path**)

+SCALER Up/Down/Cross Conversion Software option (**per-path**) Supports 59.94 <-> 60 conversions. Supports scaling and conversion between formats up to and including 1080p.