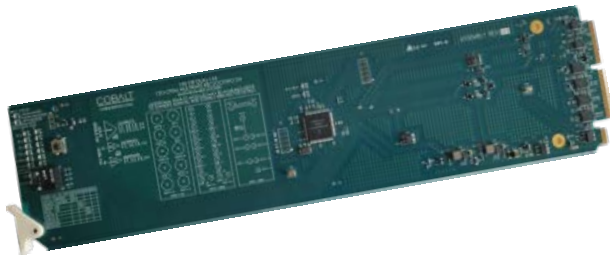


ROYAL 9917-DA-1x8/2x4-12G • Dual-Channel 12G/6G/3G/HD/SD Reclocking Distribution Amplifier



The Cobalt® **ROYAL 9917 DA-12G-1x8/2x4 Dual-Channel 12G/6G/3G/HD/SD Reclocking Distribution Amplifier** is a two-channel, multi-rate SDI distribution amplifier capable of equalizing and reclocking 3G, HD, and SD signals.

Excellent receiver EQ performance allows for up to 160m cable lengths for HD signals. All outputs are non-inverting and isolated allowing outputs to remain operational if one side is disconnected.

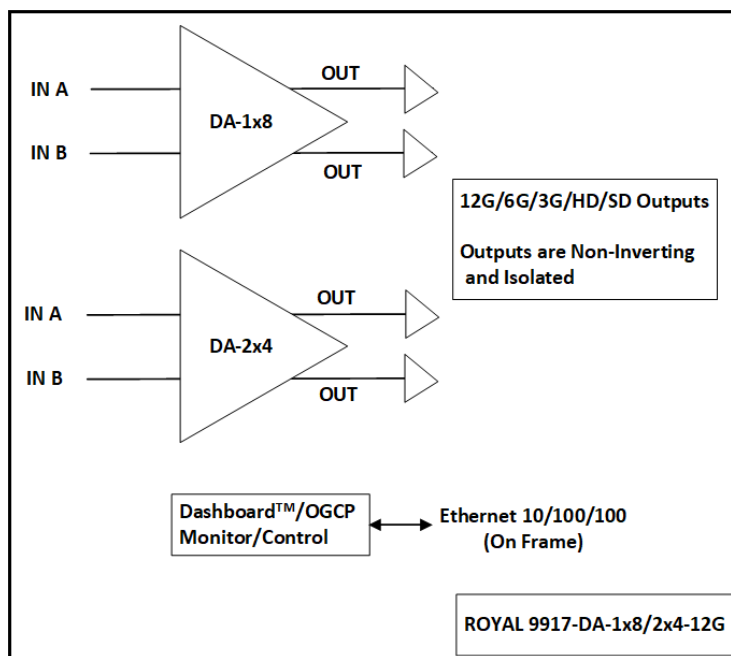
The ROYAL OG-9917-12G-1x8/2x4 can be set up as either a single-channel 1:8, dual-channel 1:4, or 1:8 with failsafe using Dashboard™ remote control software or card-edge switches. In failsafe mode, the card automatically switches to the secondary input if the primary input is lost.

FEATURES

Supports 12G/6G/3G/HD/SD-SDI/ASI/MADI	HDR Video support
Dual or single input with user-configurable modes	Passes embedded audio, all ancillary data including closed caption and time code
Automatic rate detection for all industry-standard data rates	Available high-density rear modules allow up to 20 cards per frame
Failsafe mode automatically switches to secondary input on loss of primary input	Remote control/monitoring via Dashboard™ software or OGCP-9000 remote control panels
Equalize up to 160m of Belden 1694A cable at 1.485 Gbit	Hot-swappable
Non-inverting and isolated inputs	Five year warranty

SPECIFICATIONS

Power 3 Watts	12G/6G/3G/HD/SD-SDI Inputs Number of Inputs: IN A: 2 Standard: SMPTE 424M, 292M, and 259M Return Loss: >15 dB at 5 MHz - 1.485 GHz >10 dB at 1.5 GHz to 3 GHz	12G/6G/3G/HD/SD-SDI Outputs Number of outputs: 8 (4 ASI Compatible) Standard: SMPTE 424M, 292M, and 259M Signal Level: 800 mV nominal Return Loss: >15 dB at 5 MHz - 1.485 GHz >10 dB at 1.5 GHz to 3 GHz Rise/Fall Time: <150 ps Jitter (wideband): HD: <.2 UI
-------------------------	--	---



ROYAL 9917-DA-1x8/2x4-12G • Dual-Channel 12G/6G/3G/HD/SD Reclocking Distribution Amplifier

REAR I/O MODULE SPECIFICATIONS

Cable Length Equalized (w/Belden 1694A)

RM20-9917-A Rear I/O Module

12GBPS - 55m

6Gbps - 70m

3Gbps - 150m

1.53Gbps - 170m

RM20-9917-B/S-HDBNC Rear I/O Module

12Gbps - 25m

6Gbps - 60m

3Gbps - 120m

1.5Gbps - 140m

270Mbps - 250m

RM20-9917-B-HDBNC Rear I/O Module

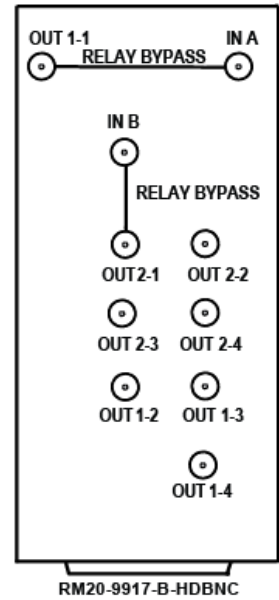
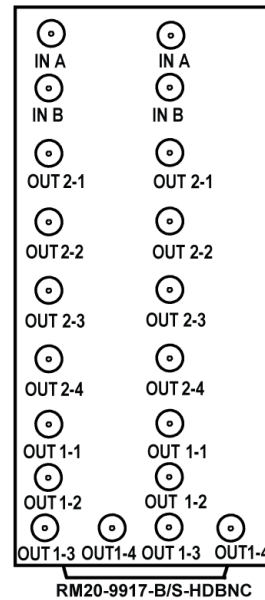
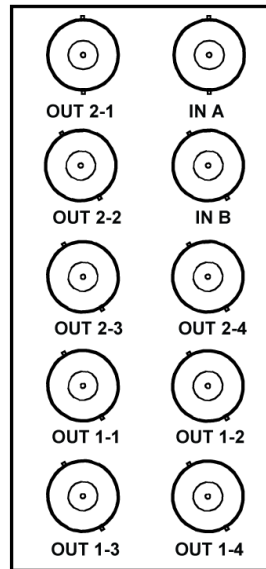
12Gbps - 20m

6Gbps - 40m

3Gbps - 100m

1.5Gbps - 100m

270Mbps - 150m



ORDERING INFORMATION

ROYAL 9917-DA-1x8/2x4-12G Dual-Channel 12G/6G/3G/HD/SD Reclocking Distribution Amplifier, 2 X 4 or 1 X 8 Configurations, Failover Mode

RM20-9917-A 20-Slot Frame Rear I/O Module (Standard Width) (2) 12G/6G/3G/HD/SD-SDI/ASI/MADI Inputs, (8) 12G/6G/3G/HD/SD-SDI/ASI/MADI Outputs (BNC).

RM20-9917-B-HDBNC 20-Slot Frame Rear I/O Module (Standard Width) (2) 12G/6G/3G/HD/SD-SDI/ASI/MADI Inputs with Relay Bypass, (8) 12G/6G/3G/HD/SD-SDI/ASI/MADI Outputs (HDBNC).

RM20-9917-B/S-HDBNC 20-Slot Frame Rear I/O Module (Standard Width, Split: supports 2 cards) (2) 12G/6G/3G/HD/SD-SDI/ASI/MADI Inputs, (8) Reclocked 12G/6G/3G/HD/SD-SDI/ASI/MADI Outputs (1x8 or 1x4/1x4 DA Modes). Connections are per-card, all connections are HD-BNC.