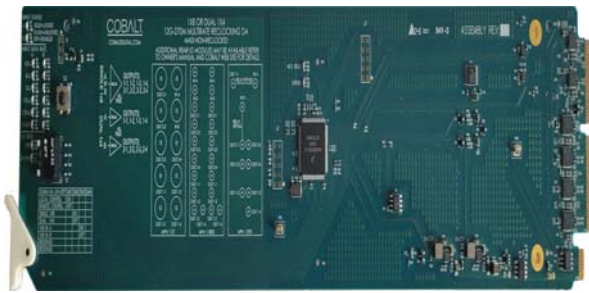


# Royal 9917-DA-1x8/2x4-12G Dual-Channel 12G/6G/3G/HD/SD Reclocking Distribution Amplifier



The Cobalt® Royal-9917 DA-12G-1x8/2x4 Dual-Channel 12G/6G/3G/HD/SD Reclocking Distribution Amplifier is a two-channel, multi-rate SDI distribution amplifier capable of equalizing and reclocking 3G, HD, and SD signals. Excellent receiver EQ performance allows for up to 160m cable lengths for HD signals.

All outputs are non-inverting and isolated allowing outputs to remain operational if one side is disconnected.

The Royal-OG-9917-12G-1x8/2x4 can be set up as either a single-channel 1:8, dual-channel 1:4, or 1:8 with failsafe using DashBoard™ remote control software or card-edge switches. In failsafe mode, the card automatically switches to the secondary input if the primary input is lost.

## FEATURES

Dual or single input with user-configurable modes

Automatic rate detection for all industry-standard data rates

Equalize up to 160m of Belden 1694A cable at 1.485 Gbit

Failsafe mode automatically switches to secondary input on loss of primary input

Non-inverting and isolated inputs

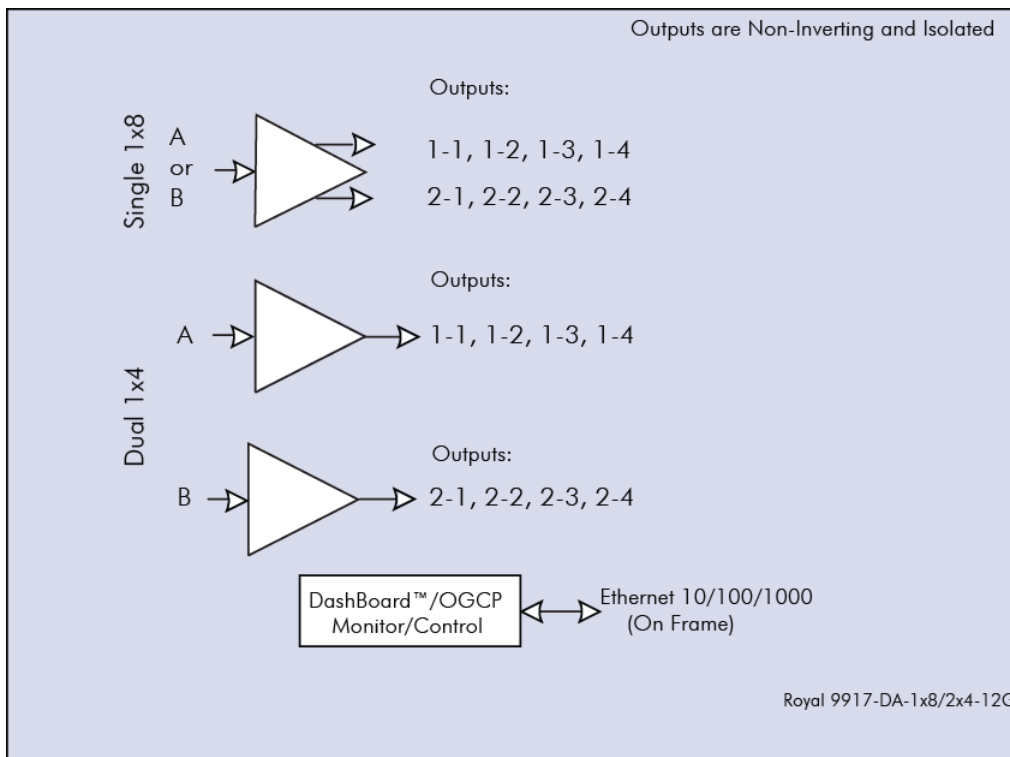
HDR Video support

Passes embedded audio, all ancillary data including closed caption and time code

Remote control/monitoring via DashBoard™ software or OGCP-9000 remote control panels

Hot-swappable

Five year warranty



Royal 9917-DA-1x8/2x4-12G Dual-Channel 12G/6G/3G/HD/SD Reclocking Distribution Amplifier

SPECIFICATIONS

Power

3 Watts

12G/6G/3G/HD/SD-SDI Inputs

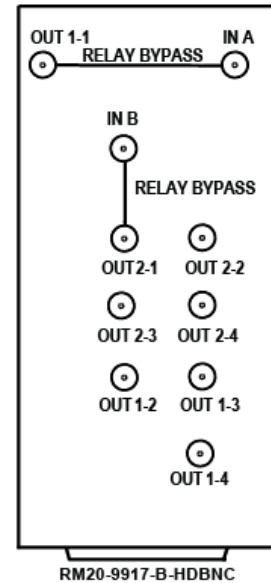
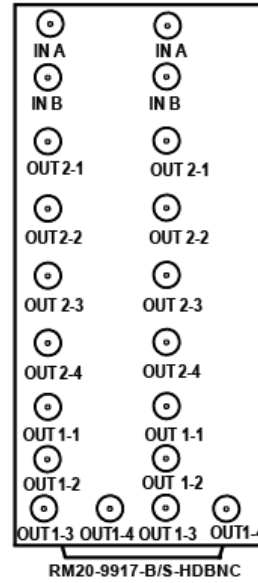
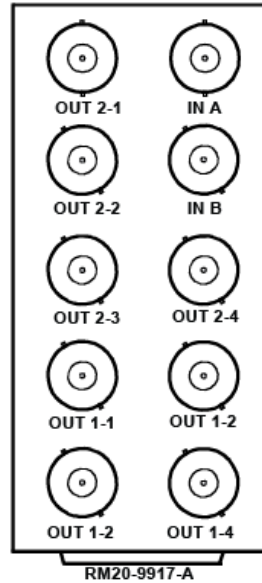
Number of Inputs: 2  
 Standard: SMPTE 424M, 292M, and 259M  
 Return Loss: >15 dB at 5 MHz - 1.485 GHz  
 >10 dB at 1.5 GHz to 3 GHz

Cable Length Equalized (w/Belden 1694A)

3 Gbps: 80m  
 1.485 Gbps: 150m  
 143-360 Mbps: 350m

12G/6G/3G/HD/SD-SDI Output

Number of outputs: 8 (4 ASI Compatible)  
 Standard: SMPTE 424M, 292M, and 259M  
 Signal Level: 800 mV nominal  
 Return Loss: >15 dB at 5 MHz - 1.485 GHz  
 >10 dB at 1.5 GHz to 3 GHz  
 Rise/Fall Time: <150 ps  
 Jitter (wideband): HD: <0.2 UI



ORDERING INFORMATION

ROYAL 9917-DA-1x8/2x4-12G Dual-Channel 12G/6G/3G/HD/SD Reclocking Distribution Amplifier, 2 X 4 or 1 X 8 Configurations, Failover Mode

RM20-9917-A 20-Slot Frame Rear I/O Module (Standard Width) (2) 12G/3G/HD/SD-SDI Inputs with Relay Bypass, (8) 12G/3G/HD/SD-SDI Outputs (HDBNC).

RM20-9917-B-HDBNC 20 Slot Frame Rear I/O Module (Split; supports 2 cards) Dual 3G/HD/SD-SDI Inputs, (8) Reclocked 3G/HD/SD-SDI Outputs (1x8 or 1x4/1x4 DA Modes) (connections are per card; all connections are DIN 1.0/2.3)

RM20-9917-B/S-HDBNC 20-Slot Frame Rear I/O Module (Standard Width, Split; supports 2 cards) (4) 12G/3G/HD/SD-SDI Inputs, (8) Reclocked 12G/3G/HD/SD-SDI Outputs (1x8 or 1x4/1x4 DA Modes). Connections are per card, all connections are HD-BNC.