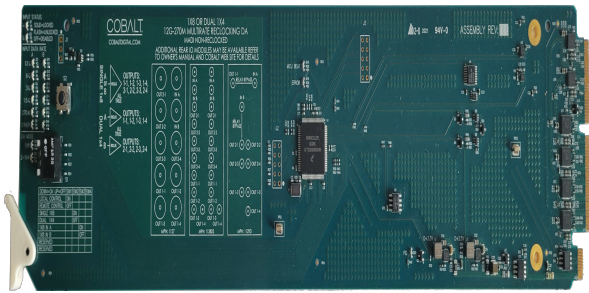


Royal OG-DA-1x8/2x4-12G • Dual-Channel 12G/6G/3G/HD/SD Reclocking Distribution Amplifier



The Cobalt® **Royal-OG-DA-12G-1x8/2x4 Dual-Channel 12G/6G/3G/HD/SD Reclocking Distribution Amplifier** is a two-channel, multi-rate SDI distribution amplifier capable of equalizing and reclocking 3G, HD, and SD signals. Excellent receiver EQ performance allows for up to 160m cable lengths for HD signals.

The Royal-OG-DA-12G-1x8/2x4 can be set up as either a single-channel 1:8, dual-channel 1:4, or 1:8 with failsafe using Dashboard™ remote control software or card-edge switches. In failsafe mode, the card automatically switches to the secondary input if the primary input is lost.

FEATURES

Dual or single input with user-configurable modes

Automatic rate detection for all industry-standard data rates

Equalize up to 160m of Belden 1694A cable at 1.485 Gbit

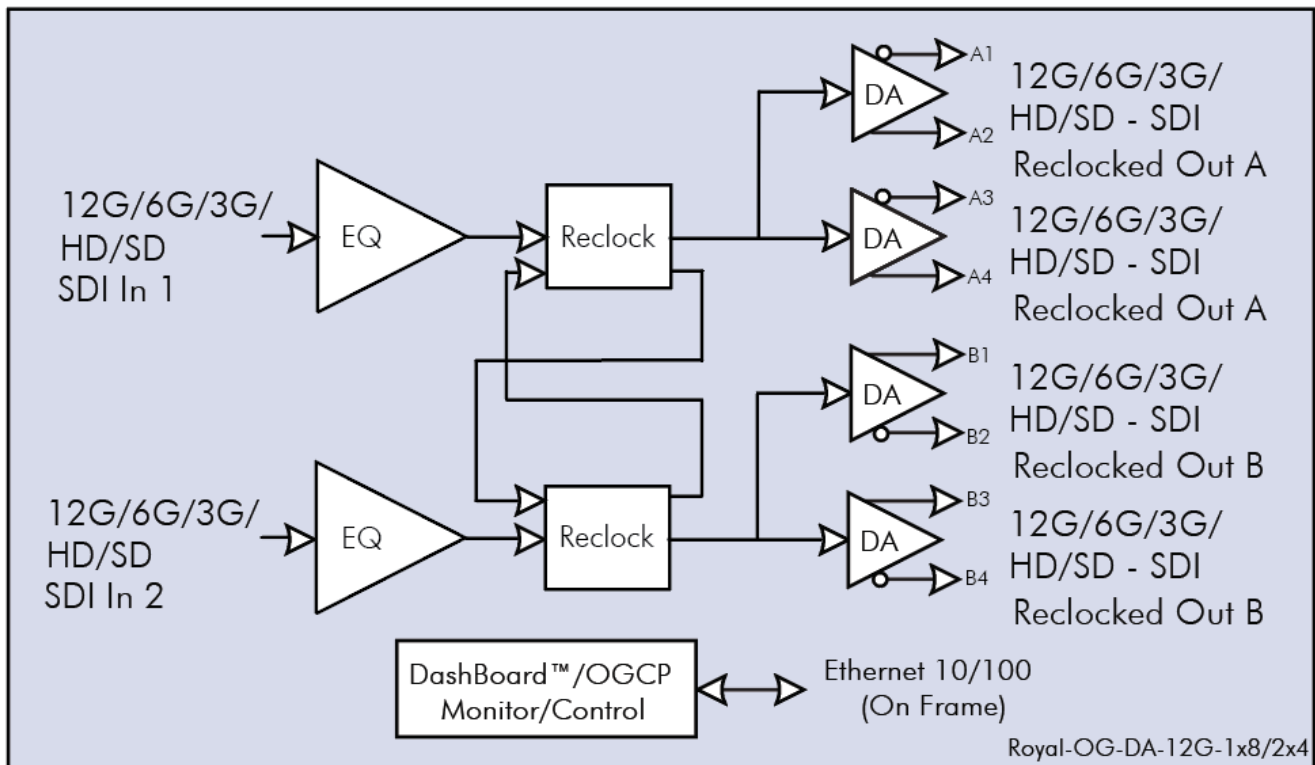
Failsafe mode automatically switches to secondary input on loss of primary input

Available high-density rear modules allow up to 20 cards per frame

Remote control/monitoring via Dashboard™ software or OGCP-9000 remote control panels

Hot-swappable

Five year warranty



Royal OG-DA-1x8/2x4-12G • Dual-Channel 12G/6G/3G/HD/SD Reclocking Distribution Amplifier

SPECIFICATIONS

Power

3 Watts

12G/6G/3G/HD/SD-SDI Inputs

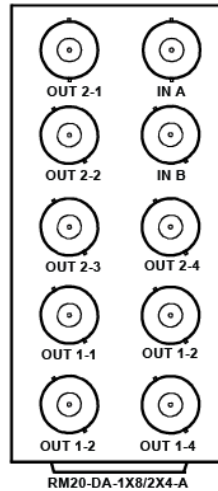
Number of Inputs: 2
 Standard: SMPTE 424M, 292M, and 259M
 Return Loss: >15 dB at 5 MHz - 1.485 GHz
 >10 dB at 1.5 GHz to 3 GHz

Cable Length Equalized (w/Belden 1694A)

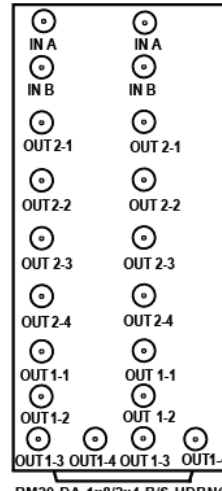
3 Gbps: 80m
 1.485 Gbps: 150m
 143-360 Mbps: 350m

12G/6G/3G/HD/SD-SDI Output

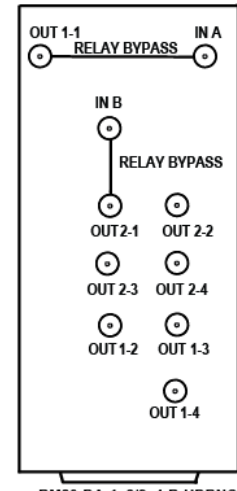
Number of outputs: 8 (4 ASI Compatible)
 Standard: SMPTE 424M, 292M, and 259M
 Signal Level: 800 mV nominal
 Return Loss: >15 dB at 5 MHz - 1.485 GHz
 >10 dB at 1.5 GHz to 3 GHz
 Rise/Fall Time: <150 ps
 Jitter (wideband): HD: <0.2 UI



RM20-DA-1x8/2x4-A



RM20-DA-1x8/2x4-B/S-HDBNC



RM20-DA-1x8/2x4-B-HDBNC

ORDERING INFORMATION

ROYAL OG-DA-1x8/2x4-12G Dual-Channel 12G/6G/3G/HD/SD Reclocking Distribution Amplifier, 2 X 4 or 1 X 8 Configurations, Failover Mode

RM20-DA-1x8/2x4-A 20-Slot Frame Rear I/O Module (Standard Width) (2) 12G/3G/HD/SD-SDI Inputs with Relay Bypass, (8) 12G/3G/HD/SD-SDI Outputs (HDBNC).

RM20-DA1x8/2x4-B-HDBNC 20 Slot Frame Rear I/O Module (Split; supports 2 cards) Dual 3G/HD/SD-SDI Inputs, (8) Reclocked 3G/HD/SD-SDI Outputs (1x8 or 1x4/1x4 DA Modes) (connections are per card; all connections are DIN 1.0/2.3)

RM20-DA-1x8/2x4-B/S-HDBNC 20-Slot Frame Rear I/O Module (Standard Width, Split; supports 2 cards) (4) 12G/3G/HD/SD-SDI Inputs, (8) Reclocked 12G/3G/HD/SD-SDI Outputs (1x8 or 1x4/1x4 DA Modes). Connections are per card, all connections are HD-BNC.